

Automatic Stainless Steel Washbasin Taps

SLU 45, SLU 46



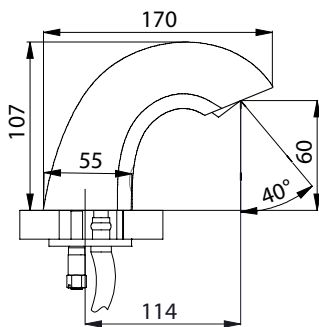
SLU 45, 46

Characteristics:



- economical aerator, rate of flow 6 l/min
- function of automatic water stop after 5 minutes of continuous flow
- water is flowing as long as hands are in the active range (max. range to 0,3 m)
- water stops flowing after removal of hands from the active range of sensor after adjustable time delay from 0,25 to 7,75 sec
- possibility of changing of time delay, active range and switching off by SLD 03
- SLU 45 is destined for cold or premixed water
- SLU 46 is destined for cold and hot water, water temperature is regulated by angle valves under the washbasin
- monitoring of battery capacity (only for models with „B“ index)
- START/STOP program

Dimensions:



Technical Specification:

| | |
|--|------------------------------------|
| Operating voltage | |
| - SLU 45, 46 | 24V DC |
| - SLU 45B, 46B | 6V |
| Power input | |
| - operating voltage 24V DC | 5 W |
| - operating voltage 6V | 2 W |
| Battery life: | |
| - 4 pcs. of alkaline batteries, 1,5V AA, 2700mAh | approx. 2 years (100 uses per day) |
| Active range: | |
| - standard | 0 - 0,3 m |
| - START/STOP program | 0,05 - 0,1m |
| Recommended flow pressure | |
| | 0,1 - 0,6 MPa |
| Rate of flow | |
| | 6 l/min. (inf. data) |
| Water inlet | |
| | male thread G 1/2" |

Supply Specification:

| | | |
|----------------|--------------------|--|
| SLU 45 | - supply No. 03450 | stainless steel faucet with an integrated electronics; electromagnetic valve (1 pc.); |
| SLU 45B | - supply No. 03455 | connecting hoses; angle valve (1 pc.), battery case; 4x AA alkaline 1,5V, 2700 mAh (only for models with „B“ index) |
| SLU 46 | - supply No. 03460 | stainless steel faucet with an integrated electronics; electromagnetic valve (1 pc.); |
| SLU 46B | - supply No. 03465 | connecting hoses; angle valve with a filter and check valve (2 pcs.); battery case; 4x AA alkaline 1,5V, 2700 mAh (only for models with „B“ index) |

Recommended Accessories:

| | | |
|----------------|--------------------|--|
| SLZ 01Y | - supply No. 05012 | external power supply 230/24V DC for operating of max. 2 pcs. of washbasin taps |
| SLZ 01Z | - supply No. 05011 | external power supply 230/24V DC for operating of max. 4 pcs. of washbasin taps |
| SLZ 03 | - supply No. 05030 | switched power supply 230/24V DC for operating of max. 9 pcs. of washbasin taps |
| SLZ 04Y | - supply No. 05041 | external power supply 230/24V DC on DIN rail for operating of max. 5 pcs. of washbasin taps |
| SLZ 04Z | - supply No. 05042 | external power supply 230/24V DC on DIN rail for operating of max. 9 pcs. of washbasin taps |
| SLZ 04X | - supply No. 10049 | external power supply 230/24V DC on DIN rail for operating of max. 15 pcs. of washbasin taps |
| SLZ 06 | - supply No. 05060 | external power supply 230/24V DC for operating of max. 1 pc. of washbasin tap |
| SLD 03 | - supply No. 07030 | universal remote control for an adjustment of all products with infra-red electronics |
| SLT 04 | - supply No. 09040 | thermostatic valve 3/4", rate of flow 28 l/min by the pressure 0,1 MPa |
| SLT 05 | - supply No. 09050 | thermostatic valve 1/2", rate of flow 42 l/min by the pressure 0,1 MPa |
| SLA 36 | - supply No. 06360 | set of alkaline batteries, 4 pcs. of 1,5V AA, 2700 mAh (only for models with "B" index) |